

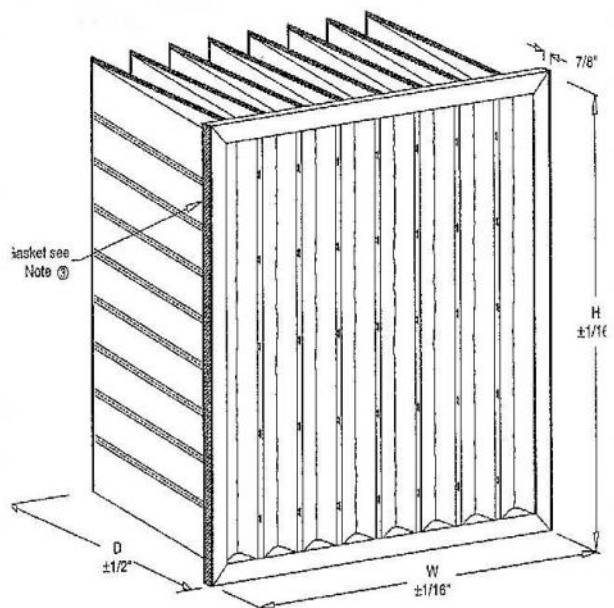
## PERFORMANCE DATA

CAPACITIES AND DIMENSIONS													
Nominal Depth (inches)	Model Number *	Number of Pockets	Nominal Size H x W x D (inches)	375 FPM		500 FPM		625 FPM		750 FPM		Net Media Area (sq.ft.)	Weight Each (lbs.)
				CFM	PD	CFM	PD	CFM	PD	CFM	PD		
<b>60 – 65% ASHRAE EFFICIENCY</b>													
15		12	24x24x15	1500	.20	2000	.30	2500	.40	Note ③		63	6.5
		5	24x12x15	750		1000		1250				26	3.5
22		6	24x24x22	1500	.20	2000	.25	2500	.37	Note ③		48	4.5
		3	24x12x22	750		1000		1250				24	3
		8	24x24x22	1500	.15	2000	.24	2500	.36	3000	.49	62	6
		4	24x12x22	750		1000		1250		1500		31	3.5
30		10	24x24x22	1500	.15	2000	.25	2500	.35	3000	.45	77	6.5
		5	24x12x22	750		1000		1250		1500		39	4
		6	24x24x30	Note ④		2000	.25	2500	.36	3000	.49	66	5
		3	24x12x30	Note ④		1000		1250		1500		33	3.5
30		8	24x24x30	Note ④		2000	.24	2500	.35	3000	.48	85	6
		4	24x12x30	Note ④		1000		1250		1500		43	3.5
30		10	24x24x30	Note ④		2000	.25	2500	.35	3000	.45	105	8
		5	24x12x30	Note ④		1000		1250		1500		53	4
32		12	24x24x32	Note ④		2000	.25	2500	.35	3000	.45	124	9
		5	24x12x32	Note ④		1000		1250		1500		62	4.5
36		6	24x24x36	Note ④		2000	.24	2500	.34	3000	.47	80	6
		3	24x12x36	Note ④		1000		1250		1500		40	3.5
		8	24x24x36	Note ④		2000	.23	2500	.33	3000	.46	102	8
		4	24x12x36	Note ④		1000		1250		1500		51	4

\* Use designator KV as shown for fiberglass media and designator KVS for synthetic media.

### Notes:

- ① PD represents clean pressure drop in inches W.G. The recommended final pressure drop for all models is 1.0 inches W.G.
- ② Filters 10", 15", 16" and 22" deep may be operated at near zero air flow on VAV systems.
- ③ Consult factory before operating at these velocities.
- ④ Apply 30", 32" and 36" deep filters at 500 FPM or higher.
- ⑤ Gross media area is approximately 7% more than net area.



## PERFORMANCE DATA

CAPACITIES AND DIMENSIONS														
Nominal Depth (inches)	Model Number *	Number of Pockets	Nominal Size H x W x D (inches)	375 FPM		500 FPM		625 FPM		750 FPM		Net Media Area (sq.ft.)	Weight Each (lbs.)	
				CFM	PD	CFM	PD	CFM	PD	CFM	PD			
80 – 85% ASHRAE EFFICIENCY														
15		12	24x24x15	1500	.25	2000	.42	2500	.60	Note ③		63	6.5	
		5	24x12x15	750		1000		1250				26	3.5	
22		6	24x24x22	1500	.30	2000	.45	2500	.60	Note ③		48	4.5	
		3	24x12x22	750		1000		1250				24	3	
		8	24x24x22	1500		2000		2500				62	6	
30		4	24x12x22	750	.25	1000	.40	1250	.55	Note ③		31	3.5	
		10	24x24x22	1500		2000		2500				77	6.5	
		5	24x12x22	750		1000		1250				39	4	
32		6	24x24x30	Note ④		2000	.40	2500	.55	Note ③		66	5	
		3	24x12x30	1000	1250	33		3.5						
		8	24x24x30	Note ④		2000		2500				3000	85	6
36		4	24x12x30	Note ④		1000	.35	1250	.50	1500	.65	43	3.5	
		10	24x24x30	Note ④		2000		2500		3000		105	8	
		5	24x12x30	Note ④		1000		1250		1500		53	4	
32		12	24x24x32	Note ④		2000	.30	2500	.45	3000	.60	124	9	
		5	24x12x32	Note ④		1000		1250		1500		62	4.5	
36		6	24x24x36	Note ④		2000	.35	2500	.45	3000	.60	80	6	
		3	24x12x36	Note ④		1000		1250		1500		40	3.5	
		8	24x24x36	Note ④		2000	.30	2500	.40	3000	.45	102	8	
		4	24x12x36	Note ④		1000		1250		1500		51	4	
90 – 95% ASHRAE EFFICIENCY														
15		12	24x24x15	1500	.42	2000	.65	2500	.80	Note ③		63	6.5	
		5	24x12x15	750		1000		1250				26	3.5	
22		6	24x24x22	1500	.50	2000	.65	2500	.80	Note ③		48	4.5	
		3	24x12x22	750		1000		1250				24	3	
		8	24x24x22	1500		2000		2500				62	6	
30		4	24x12x22	750	.45	1000	.60	1250	.75	Note ③		31	3.5	
		10	24x24x22	1500		2000		2500				77	6.5	
		5	24x12x22	750		1000		1250				39	4	
32		6	24x24x30	Note ④		2000	.55	2500	.70	Note ③		66	5	
		3	24x12x30	1000	1250	33		3.5						
		8	24x24x30	Note ④		2000		2500				3000	85	6
36		4	24x12x30	Note ④		1000	.50	1250	.65	Note ③		43	3.5	
		10	24x24x30	Note ④		2000		2500				3000	105	8
		5	24x12x30	Note ④		1000		1250				1500	53	4
32		12	24x24x32	Note ④		2000	.45	2500	.60	3000	.75	124	9	
		5	24x12x32	Note ④		1000		1250		1500		62	4.5	
36		6	24x24x36	Note ④		2000	.50	2500	.60	Note ③		80	6	
		3	24x12x36	Note ④		1000		1250				1500	40	3.5
		8	24x24x36	Note ④		2000	.46	2500	.62	3000	.77	102	8	
		4	24x12x36	Note ④		1000		1250		1500		51	4	

\* Use designator KV as shown for fiberglass media and designator KVS for synthetic media.